

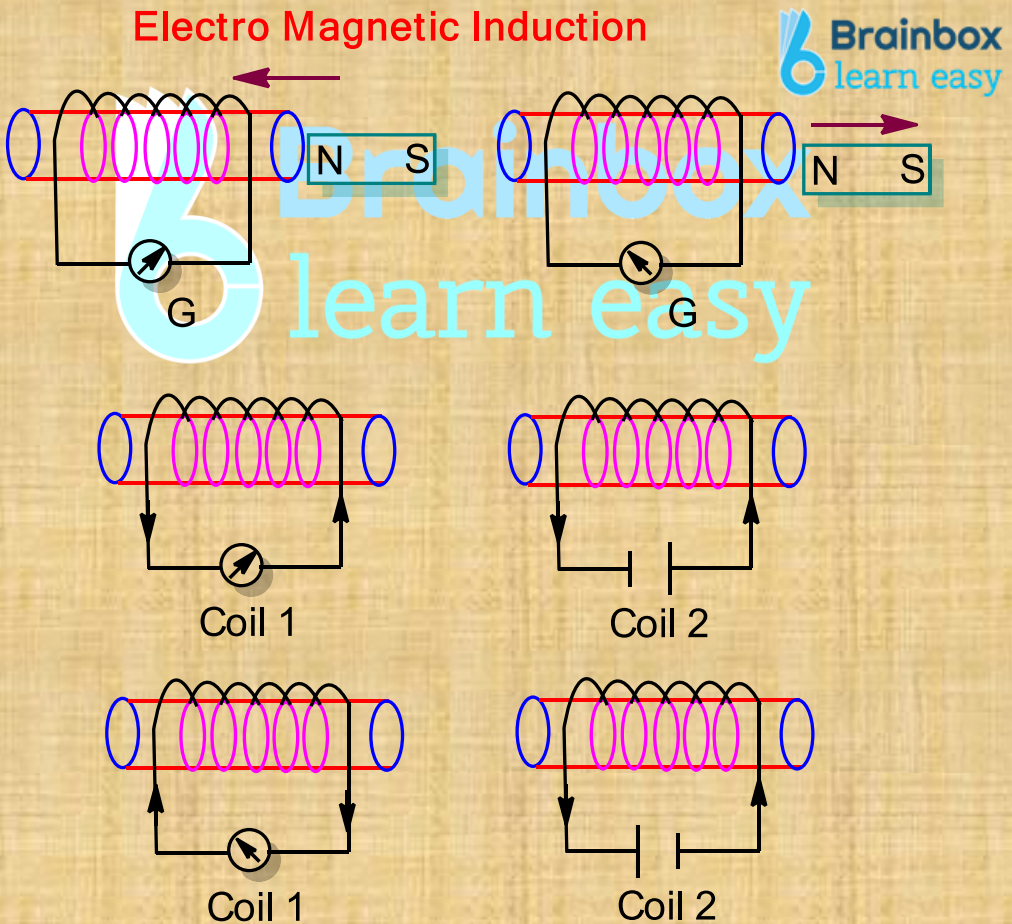
CHAPTER 13

Electromagnetism

Electro Magnetic Induction (EMI):

According to Faraday, a moving magnet can be used for generating electric currents.

“The phenomenon of producing electric currents (or) Induced emf’s by varying magnetic field is called EMI”.



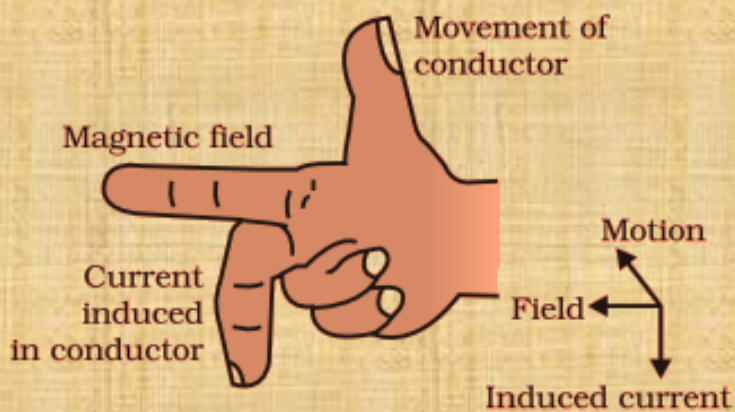


Fig. Fleming's right-hand rule

